

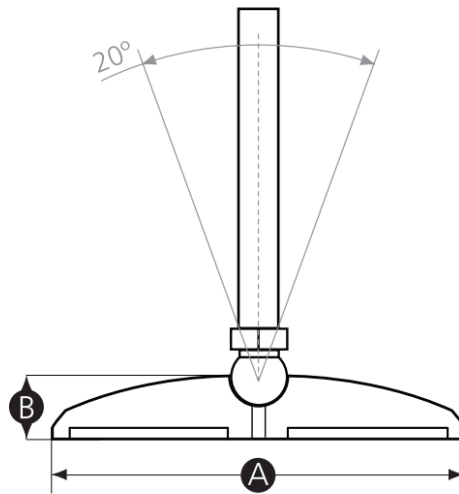
## G02LF Free-Standing Die Cast Zinc Levelling Glide

### Features

- Free standing powder coated die cast zinc base and zinc plated steel rod
- Suitable for a wide range of applications including conveyors, industrial machines and furniture
- Many more base and rod size combinations available on request
- Extra grip and anti-vibration available with **G01ASP Rubber Anti Slip Plate** sold separately

### Material

- Base: Die cast zinc
- Rod: Zinc plated steel as standard. Stainless steel available on request (MOQs apply)



Part No.	A	B	Thread Size	Thread Length	Max Load
G02LF-15654P	30	26	M8	45	350 kg
G02LF-15653T			M10	45	470 kg
G02LF-15655W	40		M8	45	350 kg
G02LF-15656S			M10	45	470 kg
G02LF-15657Z	50		M10	90	470 kg
G02LF-15658V			M12	150	750 kg
G02LF-15659R	60		M12	100	750 kg
G02LF-15660Y			M12	150	750 kg
G02LF-15661U	80		M12	150	750 kg
G02LF-15662Q			M16	100	1,400 kg
G02LF-15663X	100	M16	100	1,400 kg	
G02LF-145664T		29	M20	150	2,400 kg
G02LF-15665P	M20		150	2,400 kg	
G02LF-15666W	M24		100	3,500 kg	